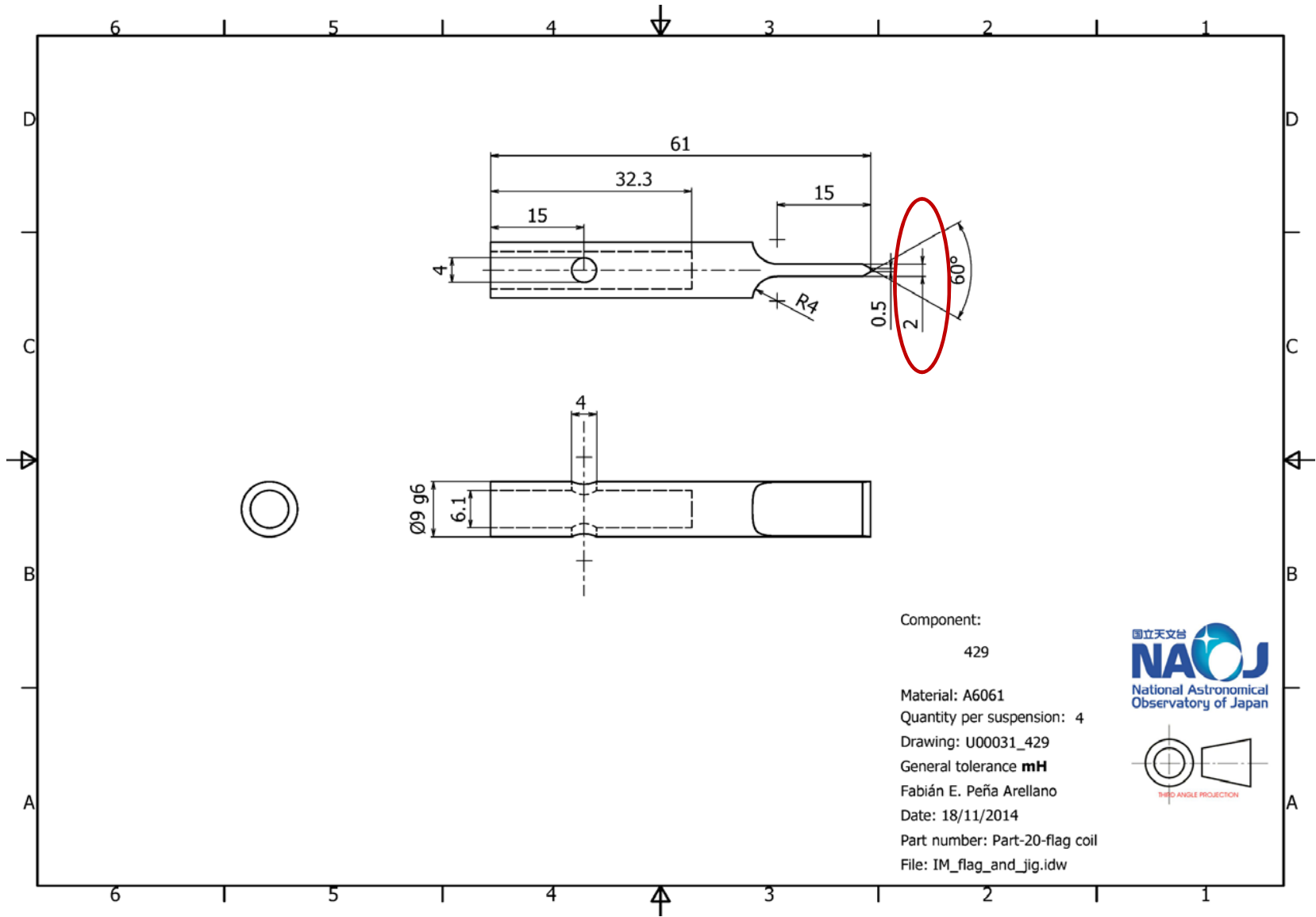


flag thicknes in mm

average 1.99
std 0.01

1	1.98
2	1.99
3	1.99
4	2.00
5	2.00
6	1.99
7	1.98
8	1.98
9	1.98
10	1.98
11	2.00
12	2.00
13	1.99
14	2.00
15	2.00
16	1.99



Component:

429

Material: A6061

Quantity per suspension: 4

Drawing: U00031_429

General tolerance **mH**

Fabián E. Peña Arellano

Date: 18/11/2014

Part number: Part-20-flag coil

File: IM_flag_and_jig.idw

