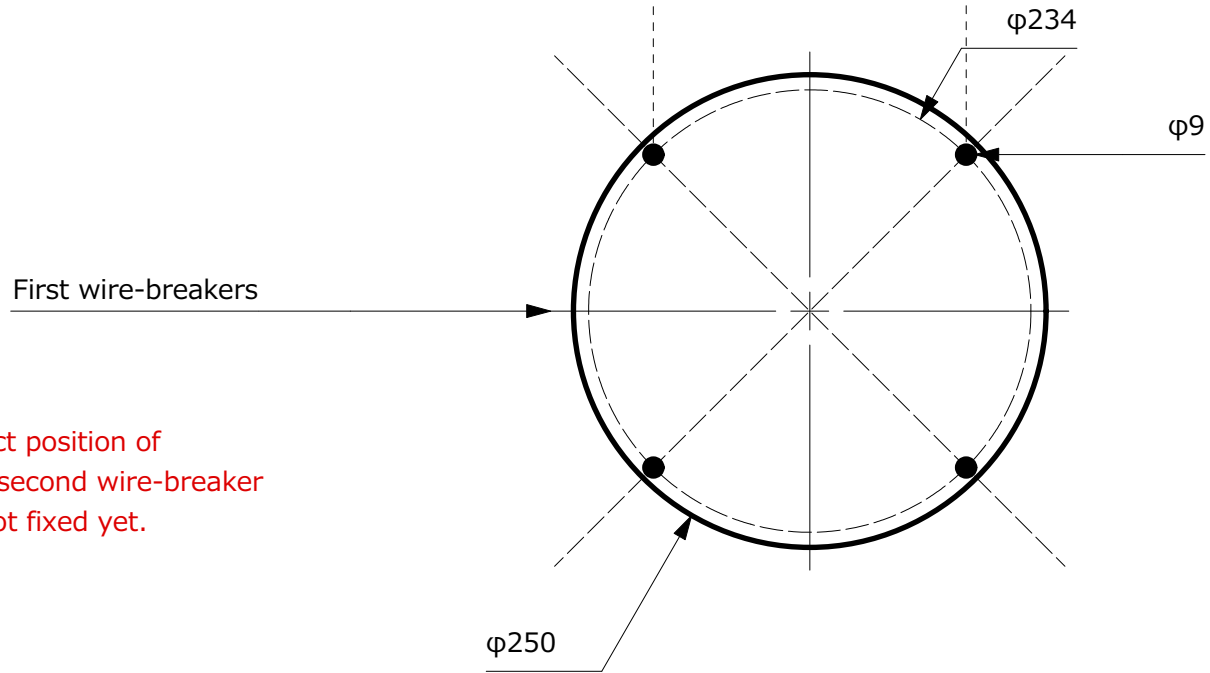
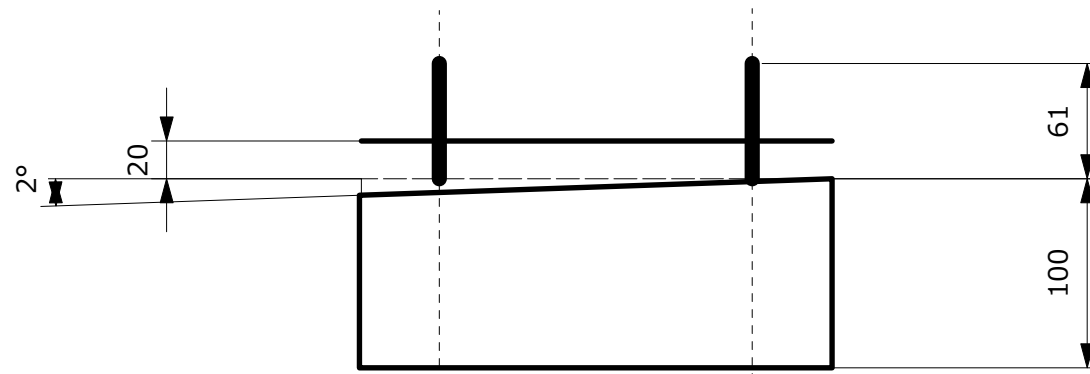


PR2  
PR3  
ETM01  
ETM02



Exact position of  
the second wire-breaker  
is not fixed yet.