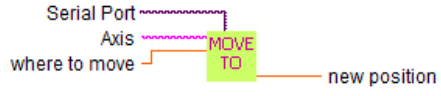
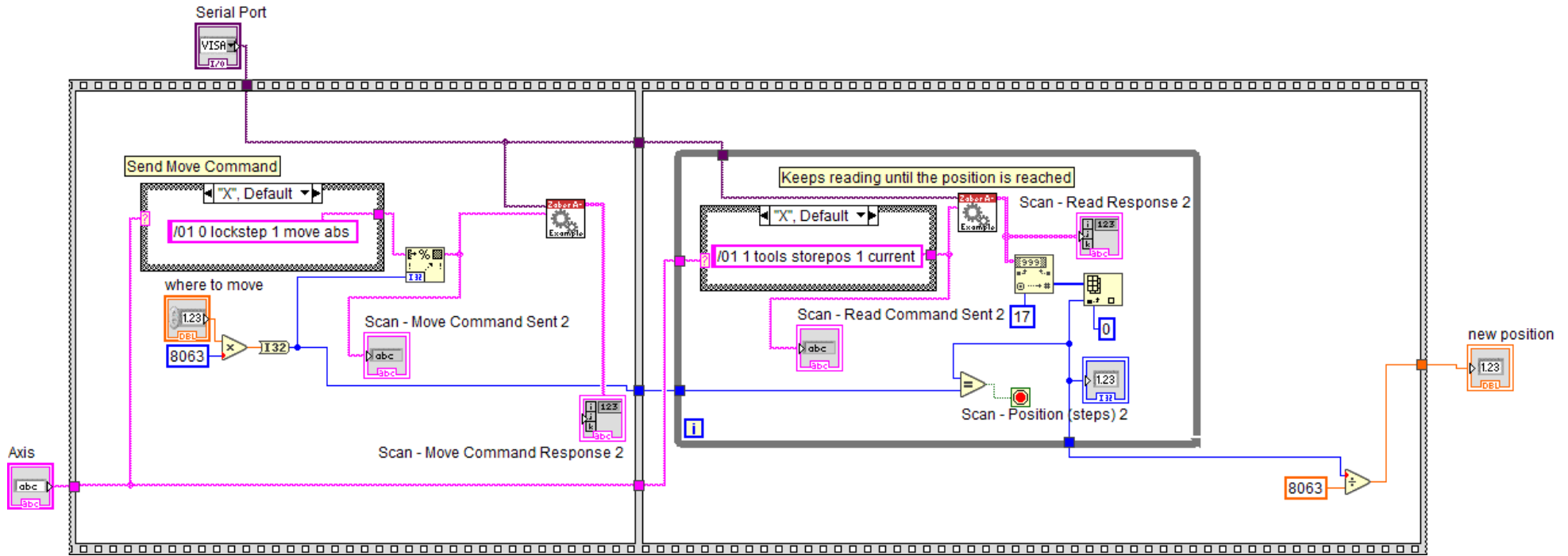


move stage ABS.vi



Front panel of the 'move stage ABS.vi' showing various input fields and indicators:

- Serial Port: dropdown menu, value 1/0
- Axis: dropdown menu, value where to move
- where to move: numeric field, value 0
- new position: numeric field, value 0
- Scan - Position (steps) 2: numeric field, value 0
- Scan - Move Command Sent 2: text field
- Scan - Move Command Response 2: text field
- Scan - Read Command Sent 2: text field
- Scan - Read Response 2: text field



- /03 0 move abs
- /02 0 lockstep 1 move abs
- /03 0 tools storepos 1 current
- /02 1 tools storepos 1 current