

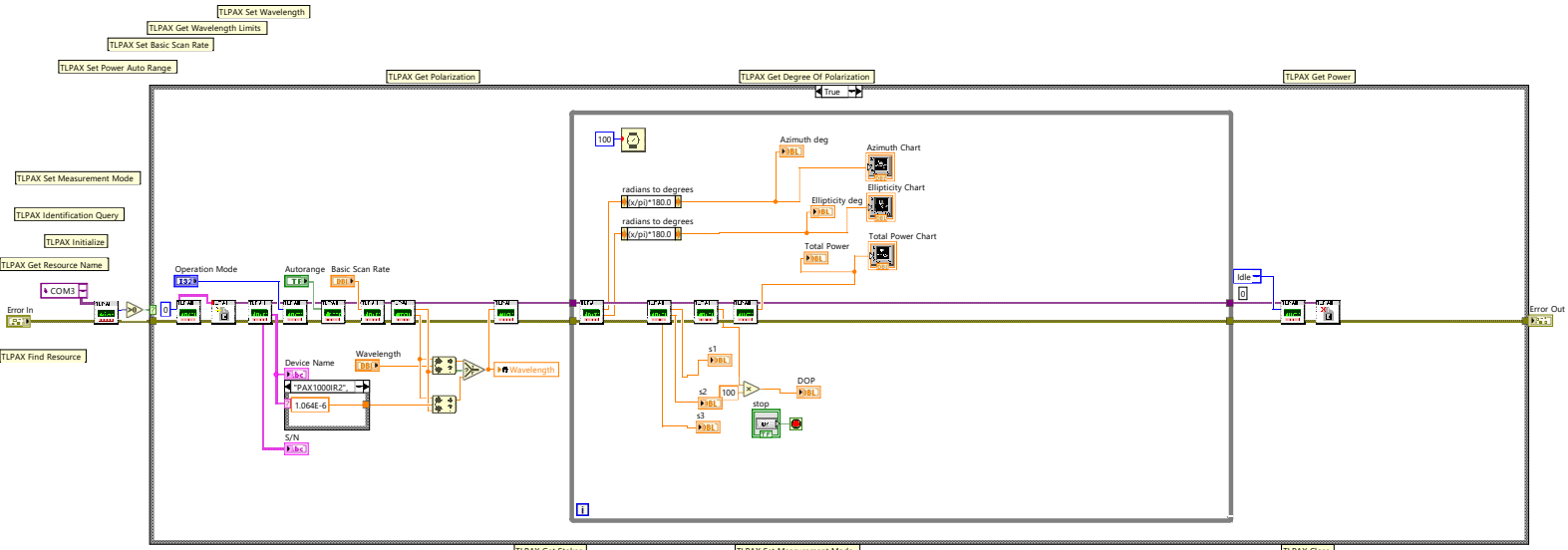


Polcam_test.vi

C:\Users\manue\OneDrive - NAOJ\LC experiment\Labview\LC-Polcam\Polcam_test.vi

Last modified on 03-Feb-23 at 14:47

Printed on 08-Feb-23 at 19:22



Build XY GraphThe VI "TLPAX Find Resource" returns the number of connected PAX1000.
 The resource string of the first PAX (index 0) is used to establish a connection. The serial number and the device name are requested and a few settings like Operation Mode, Power range, Basic Scan Rate and Wavelength are done. In a while loop polarization data (Azimuth and Ellipticity as well as Normalized Stokes Parameter, the Degree Of Polarization (DOP) and the Power are acquired.
 After clicking on the Stop button the measurement mode is set to idle, which stops the motor and the connection to the PAX is closed.

"PAX1000VIS":
 6.36E-7

"PAX1000IR1":
 9.8E-7

"PAX1000IR2":
 1.064E-6

False

