



KLC_setting(sweep independent).vi

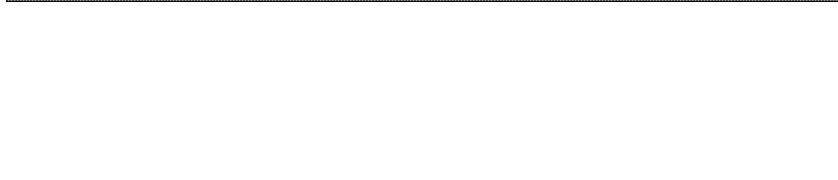
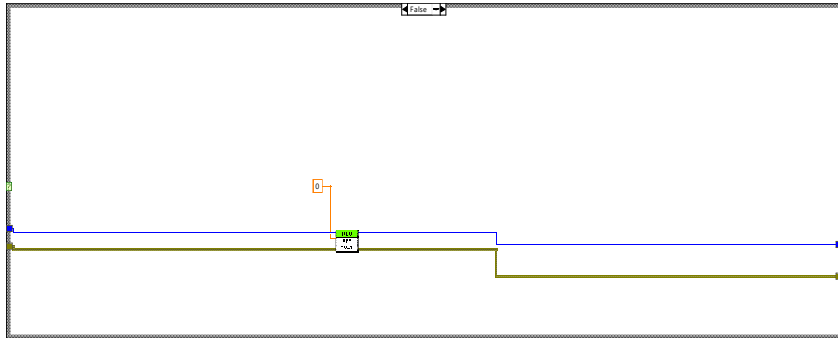
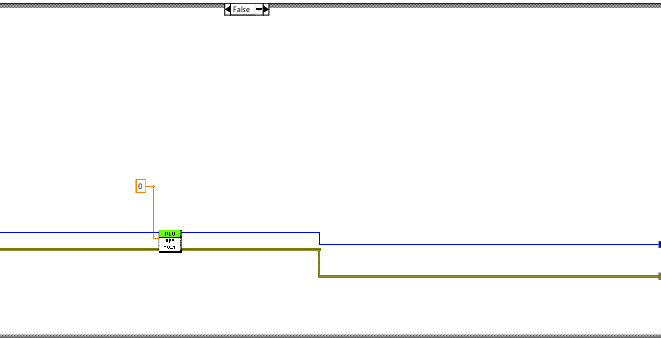
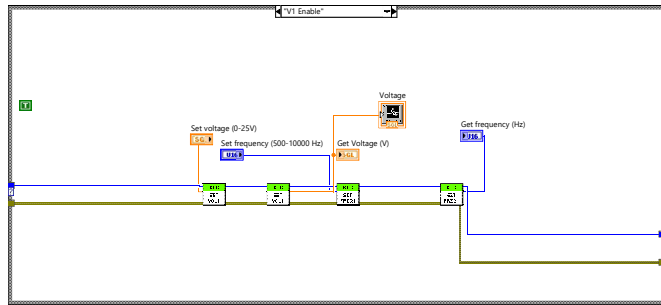
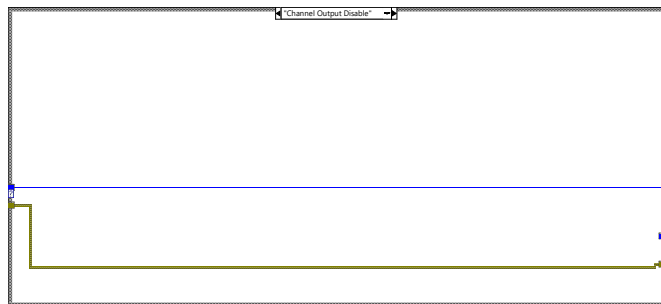
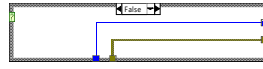
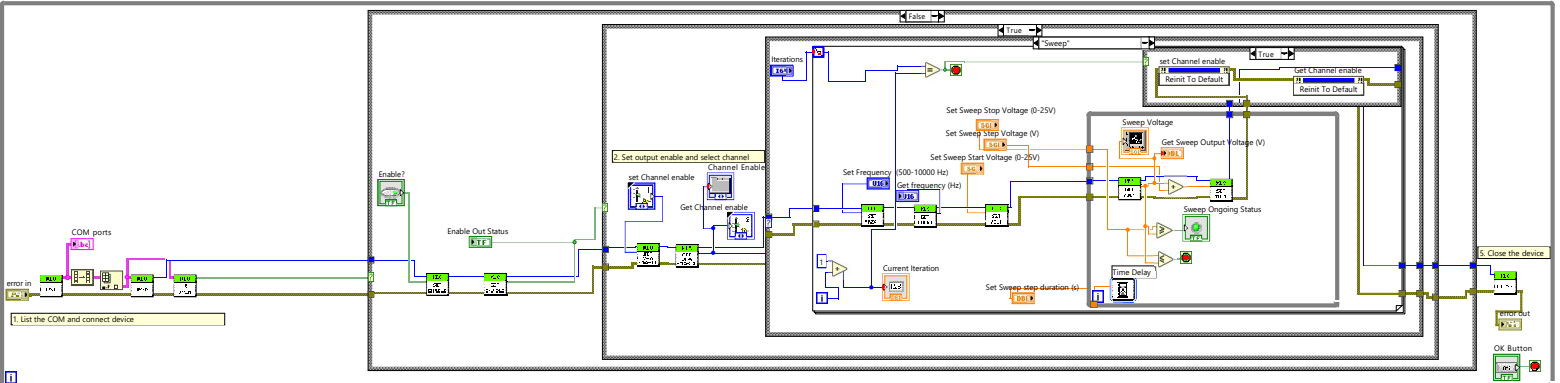
C:\Users\manue\OneDrive - NAOJ\LC experiment\Labview\LC-KLC\KLC_setting(sweep independent).vi

Last modified on 08-Feb-23 at 14:21

Printed on 08-Feb-23 at 19:18

3. Set params in the selected channel
(1) V1 enable: set voltage and frequency for V1;
(2) V2 enable: set voltage and frequency for V2;
(3) SW enable: set frequency for SW.

4. Get Kcube status





KLC_setting(sweep independent).vi

C:\Users\manue\OneDrive - NAOJ\LC experiment\Labview\LC-KLC\KLC_setting(sweep independent).vi

Last modified on 08-Feb-23 at 14:21

Printed on 08-Feb-23 at 19:18

