

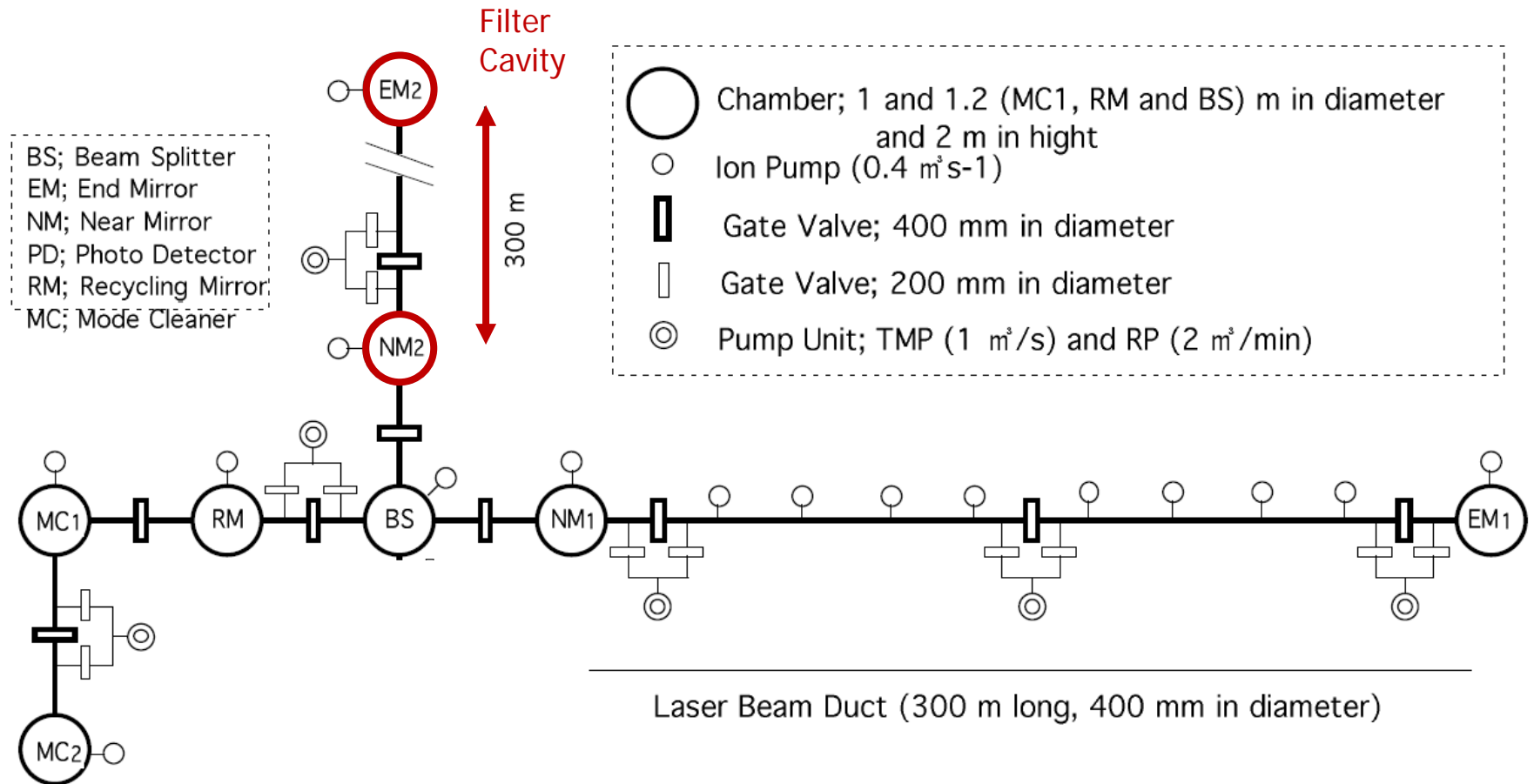
Preparation work for TAMA SAS removal

2015-11-09

APC, Paris Eleonora Capocasa

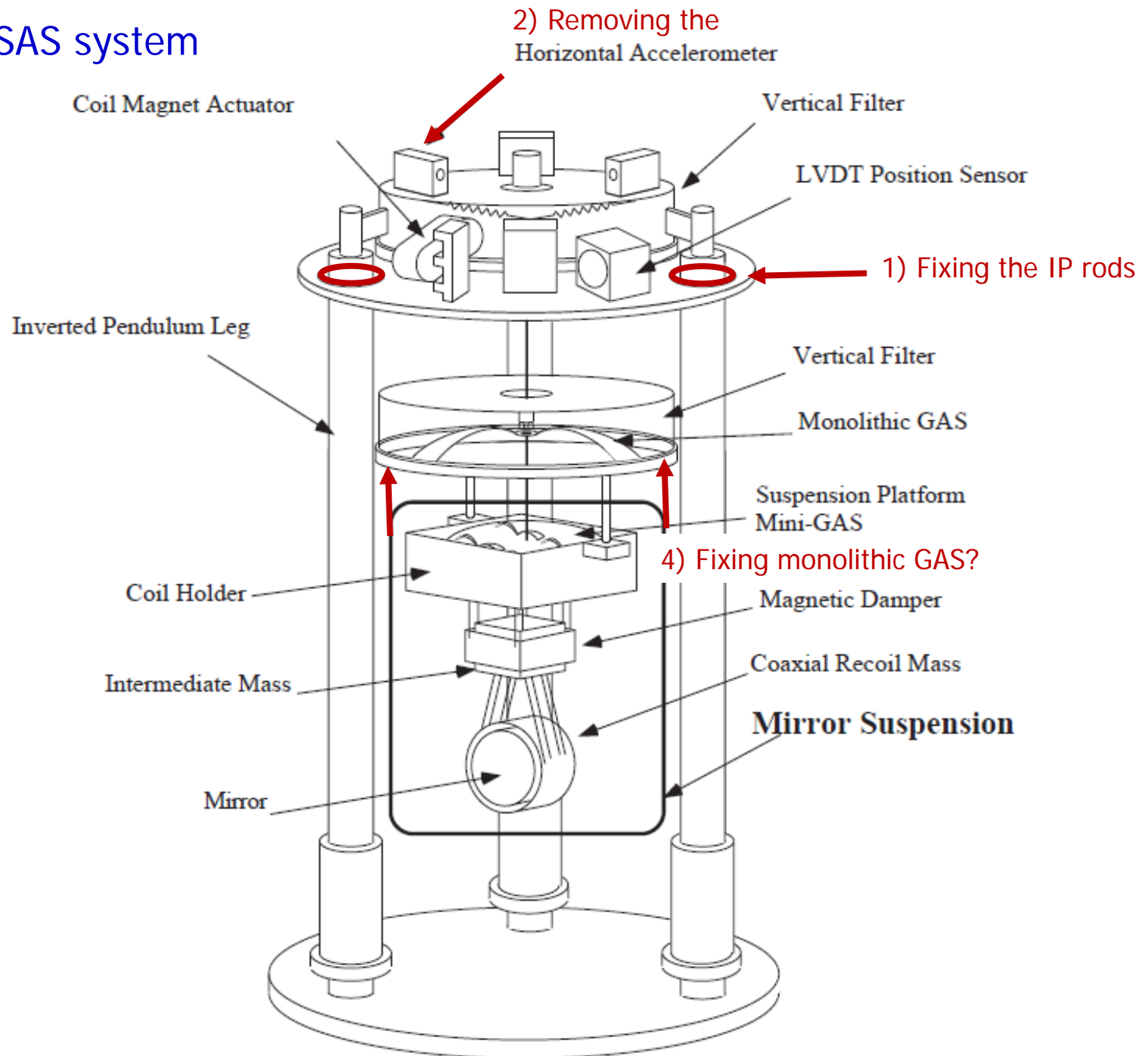
NAOJ Daisuke TATSUMI

Our goal is to install vibration isolation system for filter cavity experiment at TAMA. Before the installation, we should remove current TAMA SAS system from NM2 vacuum tank.



TAMA Vacuum System

TAMA SAS system

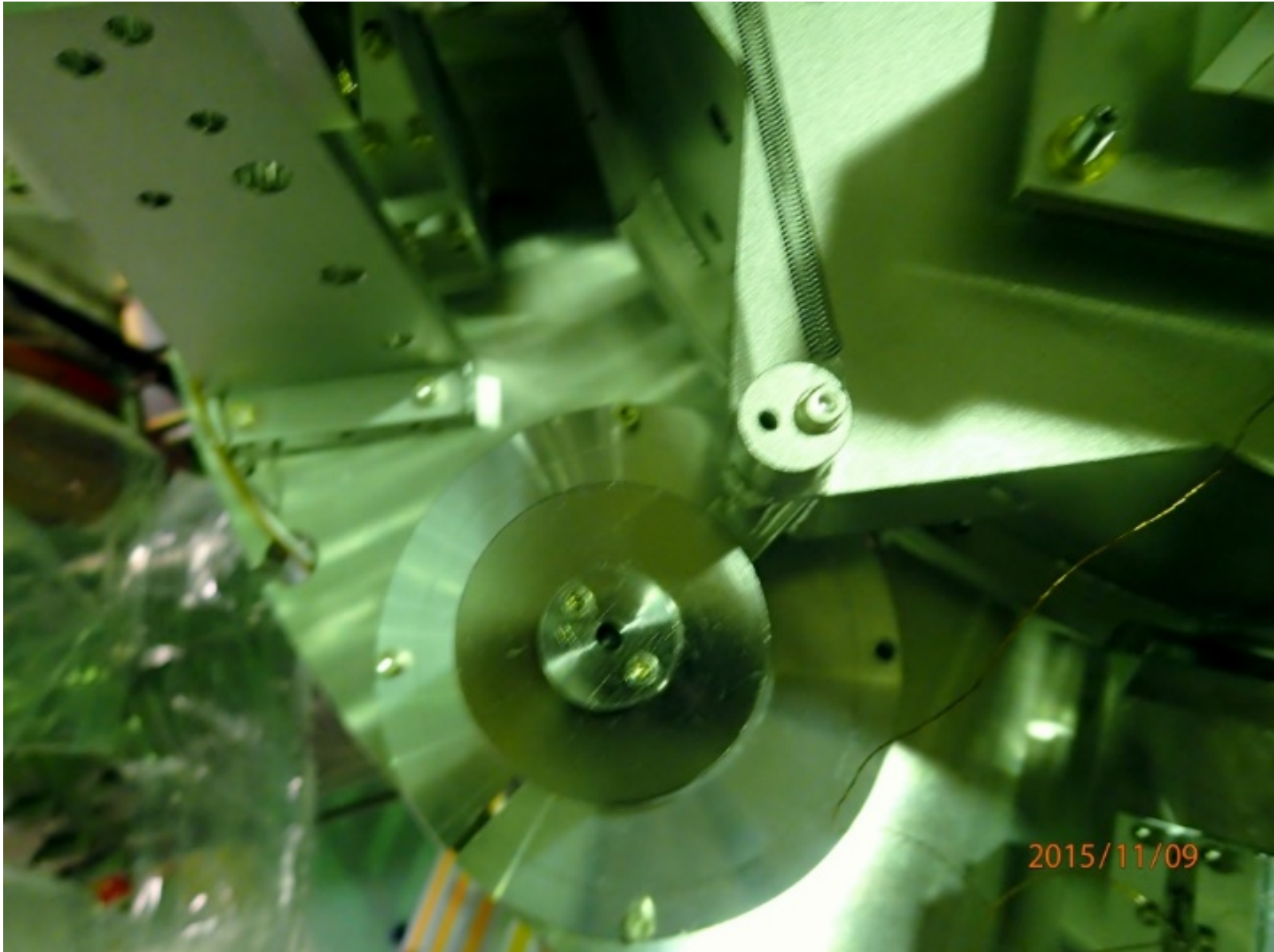


Before the removal, we should fix the suspension systems.

On 2015-11-09, the following things were done at NM2 tank.

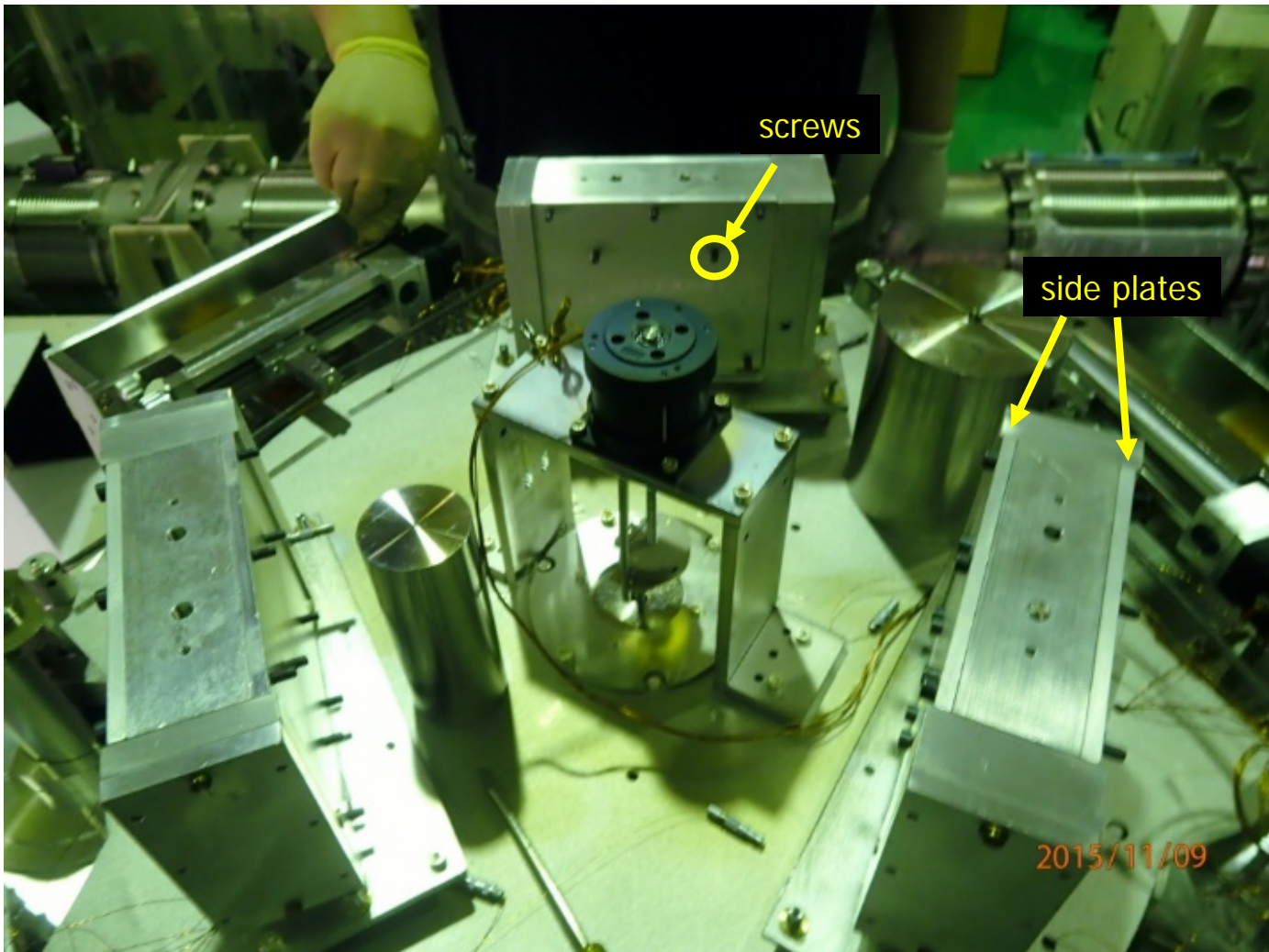
- 1) Fixing the inverted pendulum to the top plate,
- 2) Removing three accelerometer units from the top plate,
- 3) Removing all of balance weights,
- 4) Fixing a monolithic GAS with two screws (among three pillars),
- 5) Fixing the suspension platform respect to the outer frame.
It seems that the outer-frame is fixed to the monolithic GAS.
Is it true?
- 6) We cannot understand how to fix the intermediate mass to the suspension platform. We stopped here for today.

1) Fixing the inverted pendulum to the top plate,

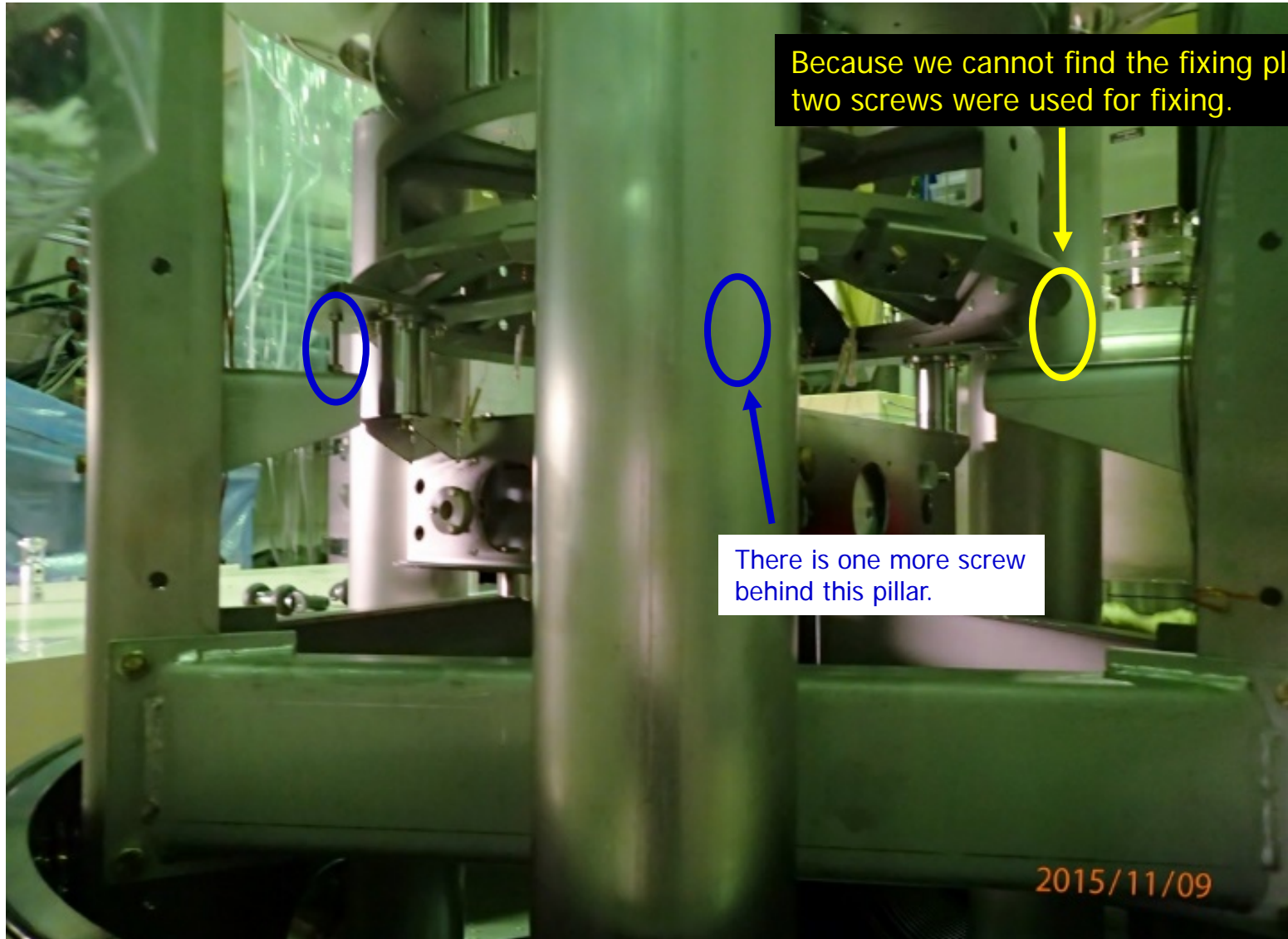


2) Removing three accelerometer units from the top plate

Because only one set-screw can be found, we do not use it.
Just fixing by side plates with screws.



4) Fixing a monolithic GAS with two screws
(among three pillars),



6) We cannot understand how to fix the intermediate mass to the suspension platform. We stopped here for today.

It seems that this fixing rods have some missing parts.

